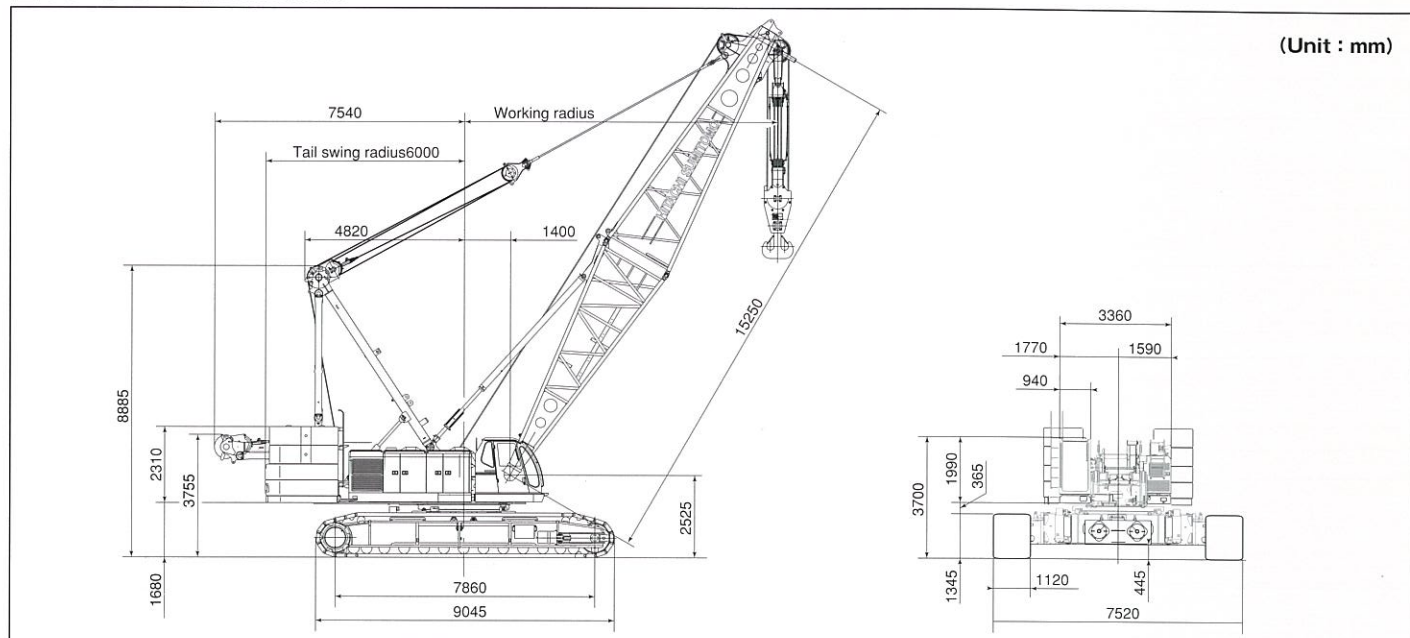


## General dimensions



## Specifications

Description	Crane application	Tower application
Max. lifting capacity	200t × 5.0m	25.0t × 14.0m
Basic boom length	15.25m	—
Max. boom length	88.40m	—
Jib length	12.20m ~ 30.50m	—
Boom and Jib	73.20m + 30.50m	—
Tower length	—	36.55m ~ 60.95m
Tower jib length	—	27.45m ~ 51.80m
Max. tower + jib length	—	60.95m + 51.80m
Line speed of front/rear drum (Hoisting, Loweing)	120 ~ 2.0m/min	120 ~ 2.0m/min
Line speed of boom hoist (Hoisting, Loweing)	(24 ~ 1.0m/min) × 2	—
Line speed of tower jib (Hoisting, Loweing)	—	51 ~ 2.0m/min
Line speed of tower hoist (Hoisting, Loweing)	—	(24 ~ 1.0m/min) × 2
Swing speed	1.7min <sup>-1</sup>	
Travel speed (Max.)	1.2km/h	
Engine model	Mitsubishi 6D24—TL Diesel	
Rated output	235kW / 2000min <sup>-1</sup>	
Gradeability	30% (17°)	
Ground pressure (with 1120mm track shoe)	108kPa	115kPa
Working weight	Approx. 200t (Basic boom)	Approx. 214t (Max. tower + jib)

## Standard equipment

### Superstructure

- Standard tools and tool box
- Head lights
- Rear view mirror
- Foot step at side frame
- Sling for assembly and disassembly
- Gantry lifting cylinder
- Joint cylinder
- Foot throttle
- SC controller
- Lower jack-up device
- Constant speed swing mechanism
- Side step at operator cab
- Windshield wiper

### Operator cab

- Radio with AM/FM and clock
- Sunshade
- Sunvisor
- Cup holder
- Floor mat
- Ashtray and lighter
- Rack
- Book holder

### Safety device

- Level gauge (in operator cab and lower frame)
- Swing and traveling alarm
- Annunciator-type overload warning device
- Gate lock lever for fool proof shut-off system
- Dual boom over-hoist limiting device
- Individual control lever lock
- Service monitor
- Emergency machine stop buttons
- Speed slowdown device
- Drum lock

※Photos in this catalog may include optional equipment.

※We are constantly improving our products and therefore reserve the right to change designs and specifications without notice.

※Units in this specifications are shown under International System of Units.

## Hitachi Sumitomo Heavy Industries Construction Crane Co., Ltd.

12-14, Ueno 7-chome, Taitou-ku Tokyo 110-0005, Japan  
Phone: 81-3-3845-1387 Facsimile: 81-3-3845-1394

Address inquiries to:

Printed in Japan  
LX61-1002

Hydraulic Crawler Crane

HITACHI SUMITOMO

SCX2000

HITACHI SUMITOMO CRAWLER CRANE SCX2000



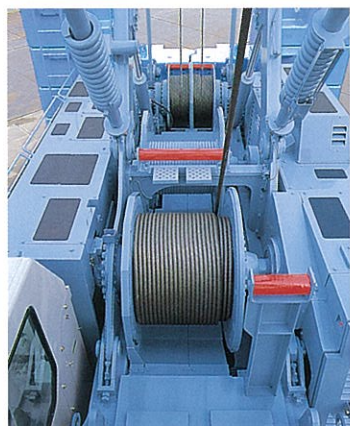


# Combination of Power and Speed makes every job possible!

Max. line pull of **25 tons**

Rated line pull of **13.5 tons**

High line speed of **120 m/min**



## Winch system with fully independent hydraulic circuit and Powerful line pull fulfills a wide range of jobs

Adopted full independent winch system with one axle-one drum-one motor-one pump. This system responds widely to various jobs such as those requiring buckets, vibro-hammer and tower attachments without variation of motor speed by mutual interference. And unique power control system (EPPSA) enables drum horsepower to be as close to engine output as possible, which enables it to respond to heavy duty work with powerful line-pull. And furthermore engine stalls during low RPM operation or heavy load duty work are eliminated. This new system reduces horsepower loss at a minimum by utilizing the new hydraulic system.

※Free fall device is available as option.

## Reduced working hours with greatly improved line speed.

The greatly improved line speed of 120m/min. at the first drum layer is achieved by adopting a variable displacement motor at the center of the winch system. Increased power and lowering speed helps work time to be reduced, which is especially ideal for tower crane work or underground excavation work requiring by high lifting height.

## Large wide drums extend life of wire rope.

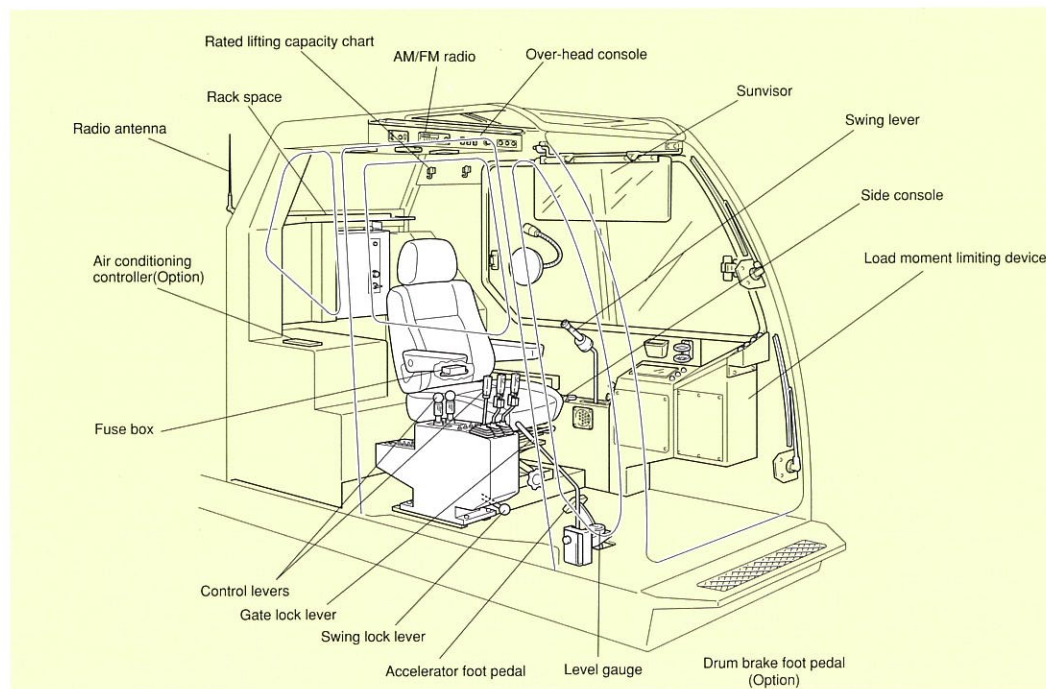
Large wide drums (42m at the first layer) with built-in reduction gear can realize the extension of wire rope which prevents chafing of wire ropes due to small drum capacity in case of clamshell and dragline work.



## Automatic cooling fan reduces power loss.

## 235kW turbo-charged diesel engine with high output and low fuel consumption.

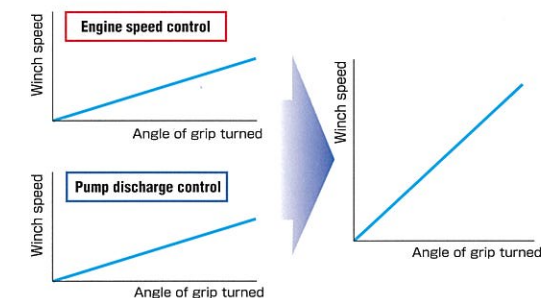
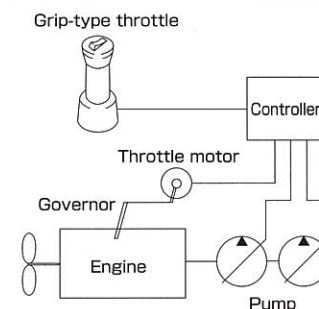
## Smooth swing with newly developed non-step speed control system.



# SC controller makes highly-skilled operation easy

## Thanks to unique SC controller, one-handed simultaneous control of engine and pump is possible.

Grip-type throttle control on the swing control lever enables continuous control of minimum to maximum speed by twisting the grip and also one-handed control of the engine and pump at the same time.



## Hydraulically assisted drum brakes reduce operator fatigue (Option)

A newly developed hydraulically assisted brake system has been adopted to increase braking effects with less foot power. It results in significantly less operator fatigue during clamshell and hammer grab operations which often require free fall of the winch. Conventional automatic brake mode can be selected for safety during normal operation.



## Safety system provides people on the job site with high security.

### Newly developed SML-10 Safe Load Indicator (with message display)

Indicator of warning, emergency stop, load due to overloading together with newly adopted message display system reduces setting work of moment limiter. And lifting height meter can be equipped as an option for working in "blind" conditions.



### Speed slowdown device (incorporated with SML-10 Safe Load Indicator)

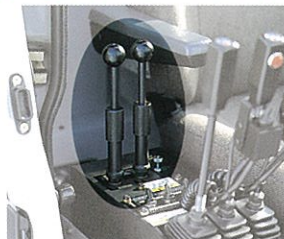
The new overload limit system automatically slows down the drum speed to one third of normal speed as the lifting capacity approaches the limit. It safely prevents load swing due to sudden shock.

### Dual hook over-hoist limiting device

Hook over-hoist limiting device and speed slowdown device installed with lifting height meter (Option) in load moment limiter safely prevents hook over-hoisting.

### Travel control lever at right hand side

Moving position of travel lever enables easy visibility backwards.



### Dual warning for swing alarm, with audible and visual signal

Flasher synchronizes alarm in swing motion. Buzzer of swing alarm can be set up individually. Buzzer of swing alarm can be deactivated for operation at night.



### Gate lock lever for fool proof shut-off system

### Stop release key switch

### Annunciator-type overload warning system (incorporated with SML-10 Safe Load Indicator)

This system for 16 different alarms including overloading, and excessive boom lowering etc. helps operators to react quickly in latent danger. And as it is impossible to release both stop motion and alarm systems, it prevents accidents caused by preset release.

#### Warning messages:

- ① Overload limit
- ② Auto stop
- ③ Boom hoist limit
- ④ Jib hoist limit
- ⑤ Boom lower limit
- ⑥ Jib lower limit
- ⑦ Two-block limit
- ⑧ Free mode activated
- ⑨ Free-fall
- ⑩ Height limit set
- ⑪ Radius limit set
- ⑫ Luffing attachment protection activated
- ⑬ Boom protection activated
- ⑭ Hydraulic control pressure reduced
- ⑮ Stop release
- ⑯ Rigging mode

### Three color percentage indicator (Option)

Three color percentage indicator can be equipped as option. which is similar to traffic light and enables people to be aware of.



### Dual boom over-hoist limiting device

Two kind of limit switches are located in boom foot and boom backstops respectively, so that it prevents any damage caused from boom over-hoisting twice.



## Large windshield with wide visibility can realize comfortable operation

### Improved front visibility



### Arm chair control lever can provide easy operation



### Improvement of space under foot





## Better mobility enables transportation speed to be much higher

### Counterweight with 9-horizontally-split units

Horizontally-split unit counterweight enables its transportation loaded together with extension booms to minimize number of trailer. Also, reversible loaded counterweight can reduce time for assembly and disassembly.



### Folding mast

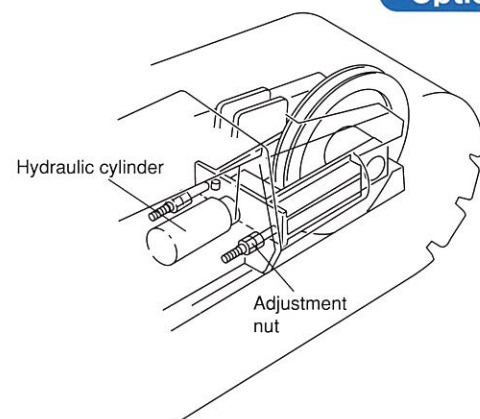
Folding mast makes assembly and disassembly easier and faster.



### Automatic track tension system

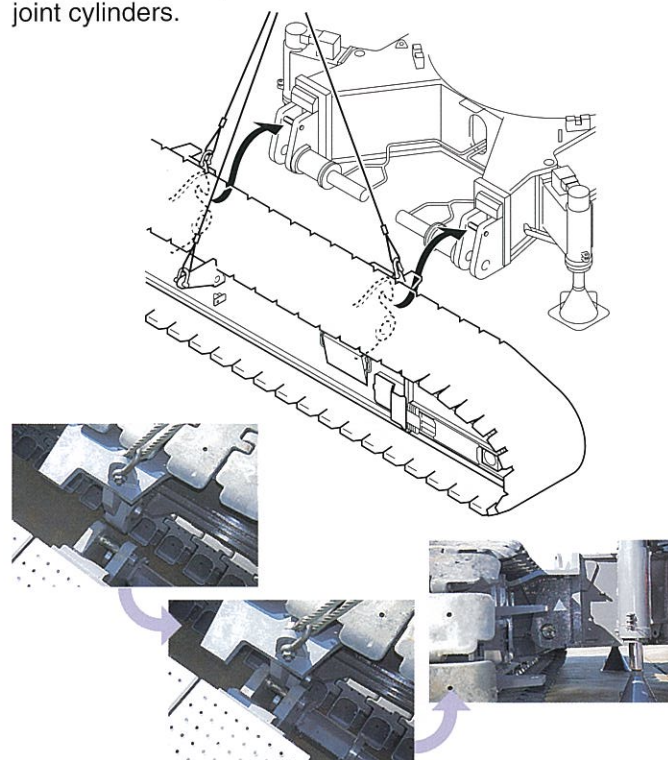
Our reliable automatic track adjustment system uses hydraulics to keep track tension at an optimum level. Should foreign matter lodge between track and idler, hydraulic pressure works as a cushion to prevent damage.

Option



### Side frame can be assembled easily only by hydraulic cylinders

Newly-developed cylinder joint system enables basic machine to be fixed on side frame by operation of cylinder. Assembly work can be finished with time to joint cylinders.



### Compact base unit with a total width of 3200mm for transportation

Compact base unit within 3.2 m in width for transportation with side frame dismantled.

